

---

# Architecture Roadmap Artifacts

Methodology for performing  
analysis & planning for a target  
roadmap

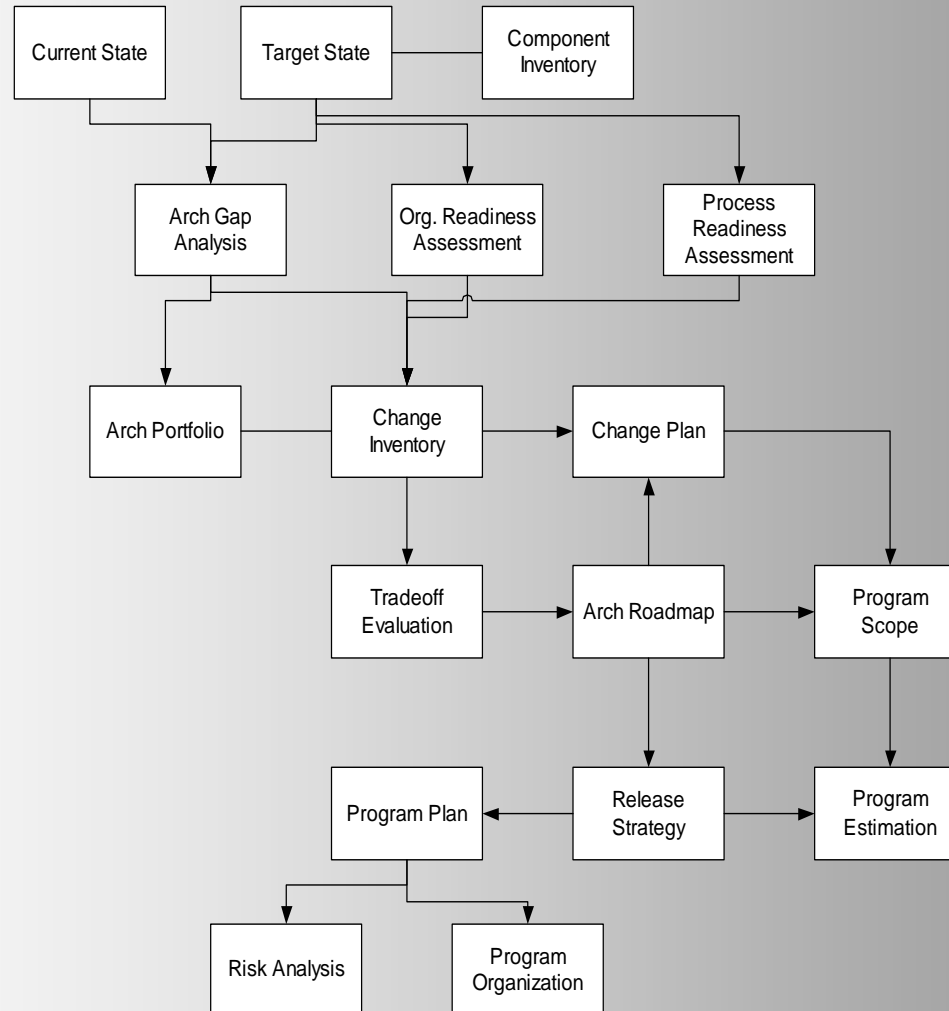




---

# The Architecture Roadmap Process

# Analysis/Roadmap/Planning Process

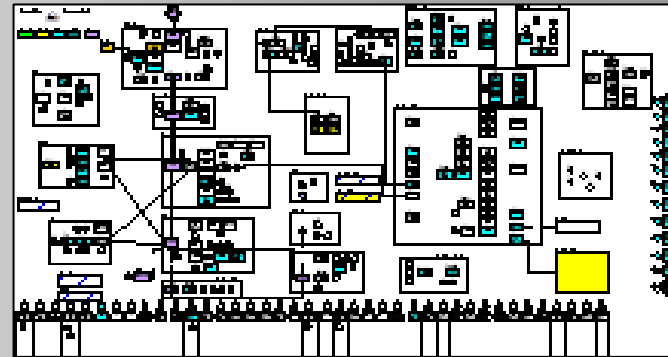




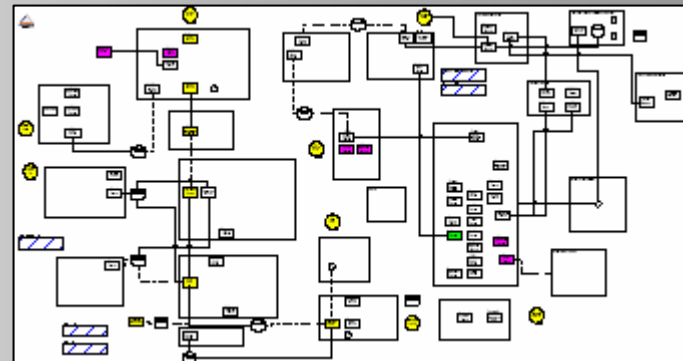


# Existing Architecture Artifacts

Logical Application  
Component Stack

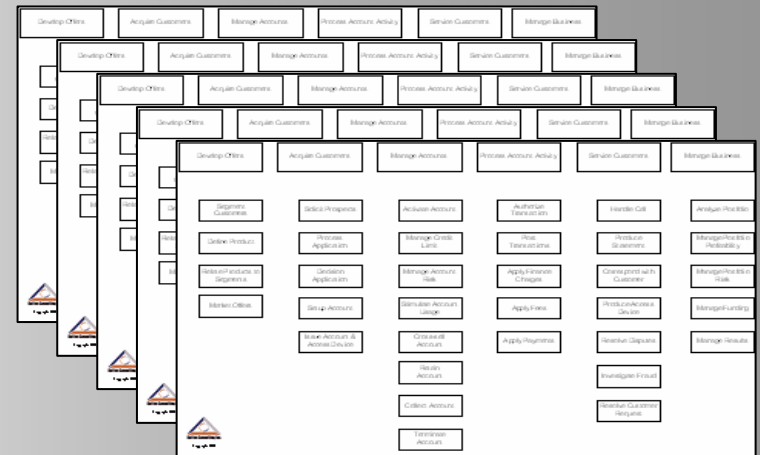


Subsystem Interaction  
Diagram



# Existing Architecture Artifacts

Business Process  
Breakdown L1-L3

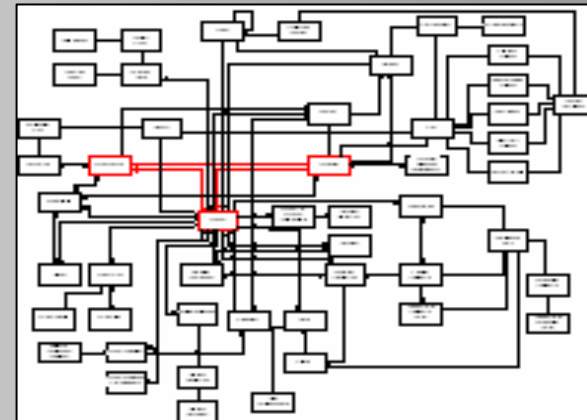


Process to Component  
Mapping (including C-C usage)

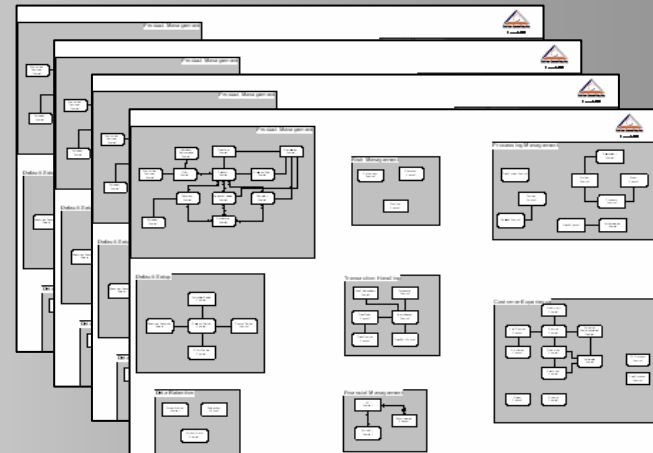
Business Process	Business Process Component	Business Process Activity	Subsystem	Multi-Use	IS	System Component Name	Component Used	Interface Method
(1)Develop Offers	(1B)Define Product	(1B3)Create Product	Offer Management		001	Segment Treatment Setup Service		
(1)Develop Offers	(1B)Define Product	(1B3)Create Product	Product Management		002	Features Setup Service		
(1)Develop Offers	(1B)Define Product	(1B3)Create Product	Product Management		003	Fee Setup Service		
(1)Develop Offers	(1B)Define Product	(1B3)Create Product	Product Management		004	Look & Feel Setup Service		
(1)Develop Offers	(1B)Define Product	(1B3)Create Product	Product Management		005	Pricing Setup Service		
(1)Develop Offers	(1B)Define Product	(1B3)Create Product	Product Management		006	Product Formulation Service		
(1)Develop Offers	(1B)Define Product	(1B3)Create Product	Product Management		007	Product to Channel Mapping Service		
(1)Develop Offers	(1B)Define Product	(1B3)Create Product	Product Management		008	Promotion Setup Service		
(1)Develop Offers	(1B)Define Product	(1B3)Create Product	Product Management		009	Terms Setup Service		
(1)Develop Offers	(1C)Relate Products to Segments	(1C2)Define Offer Criteria	Offer Management		010	Offer Criteria Setup Service		
(1)Develop Offers	(1C)Relate Products to Segments	(1C2)Define Offer Criteria	Offer Management		011	Segment Criteria Lead Service		
(1)Develop Offers	(1C)Relate Products to Segments	(1C3)Segment Prospects by Offer	Offer Management		012	Product Select Service		
(1)Develop Offers	(1C)Relate Products to Segments	(1C3)Segment Prospects by Offer	Offer Management		013	Segment-to-Product Mapping Service		
(1)Develop Offers	(1C)Relate Products to Segments	(1C4)Build Control Groups	Offer Management		014	Test Cell Generation Service		
(1)Develop Offers	(1D)Market Offers	(1D1)Position Offer by Segment	Offer Management		015	Offer Hold/Remove Service		

# Existing Architecture Artifacts

Key Entity ERD



Key Parameter Entities  
& P to P Relationships







# Tradeoff Prioritization

